

# SIDE MOUNTED *Mowers*

MODELS 14-3, 4, 50, 51, 60, 68 and 77

## Group 2 - SIDE MOUNTED MOWERS Models 14-3, 4, 50, 51, 60, 68, and 77

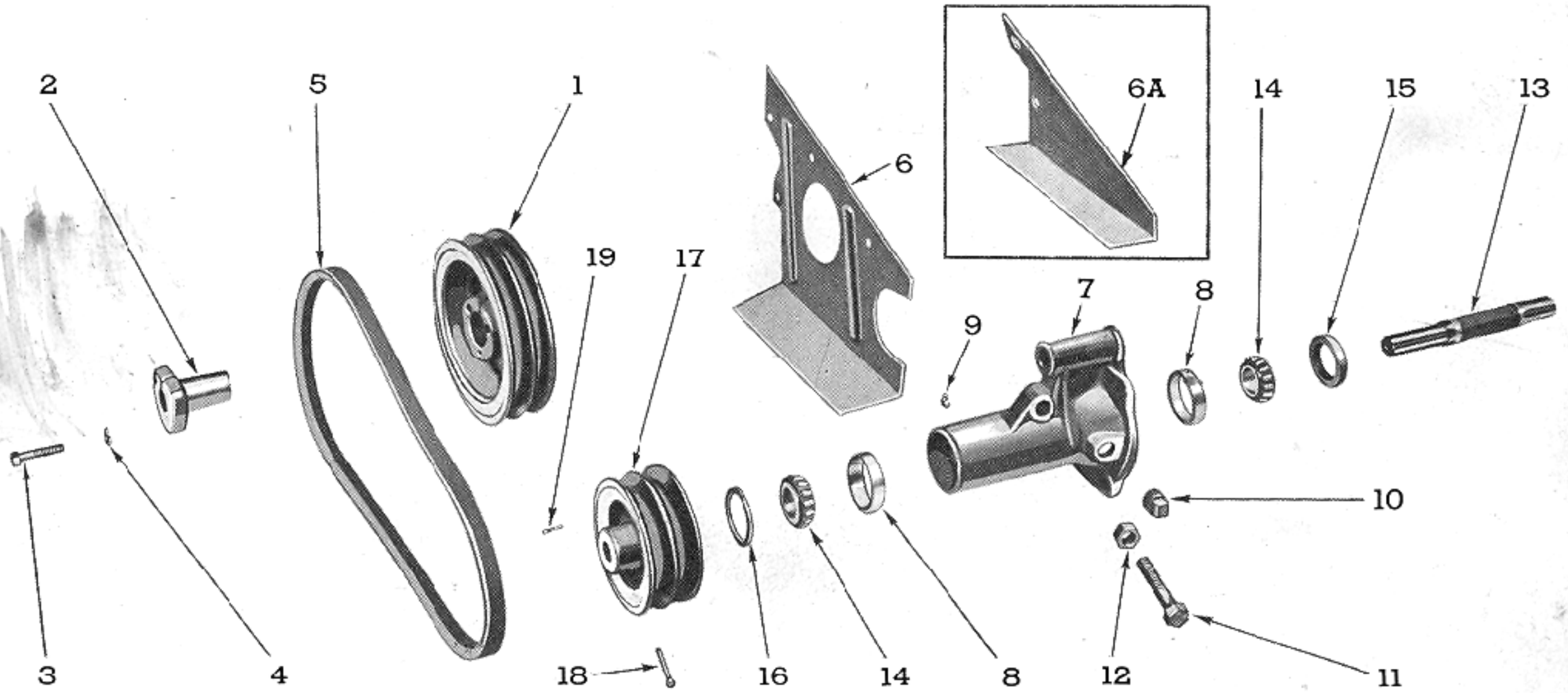


Figure 20 - Drive Pulley and Driven Pulley Housing Assemblies

FIG. 20	PART NO.	NAME AND DESCRIPTION	QTY. REQ.
<b>Group 2-1—DRIVE PULLEY AND DRIVEN PULLEY HOUSING ASSEMBLIES (Models 14-3, 4, 50, 51, 60, 68 and 77)</b>			
-	149726	V-PULLEY, Large (1-3/8 Spline)	1
1	140066	V-PULLEY, Large (1-1/8 Spline)	1
2	140302	BUSHING, Pulley (1-1/8 Spline)	1
-	172049	BUSHING, Pulley (1-3/8 Spline)	1
3		BOLT, 7/16" - 14 x 1.72 Hex. Hd. } Bushing to Pulley	3
4		LOCKWASHER, 7/16"	
5	140022	V-BELT, 54"	2
6	140407	GUARD, Belt (Models 14-3, 4, 50, 51, 60, 68)	1
6A	148192	GUARD, Belt (Welded Assembly) (Model 14-77 only)	1
-		BOLT, 7/16" - 14 x 1" Hex. Hd. } Belt Guard (Model 14-77 only)	2
-		WASHER, 7/16" Flat	1
-		LOCKWASHER, 7/16"	2
7	140432	PULLEY HOUSING ASSEMBLY Consists of Housing plus:	1
8	B-1202	CUP, Bearing	2
9		FITTING, Lube, 1/4" - 28 x 3/4", 45°	1
10		PLUG, 3/4" - 14 Sq. Hd., Pipe, Pulley Housing	2
11	140221	BOLT, 5/8" - 18 x 3-1/4" Hex. Hd. (Models 14-3, 4, 50, 51, 60, 68)	1
--	148320	BOLT, 5/8" - 18 x 4 3/4" Hex. Hd. (14-77 only)	
12		NUT, 5/8" - 18 Hex.	
13	140095	SHAFT, Pulley Housing	1
14	A-1201	CONE, Pulley Housing Shaft Bearing	2
15	140193	SHIELD, Pulley Housing Oil	1
16	140337	SEAL, Pulley Housing Shaft Bearing Oil	1
17	140065	V-PULLEY, Small Driven	1
18		PIN, Clevis, 1/4" x 1-15/16" } Pulley to Shaft	1
19		COTTER PIN, 3/32" x 5/8"	

# SIDE MOUNTED *Mowers*

MODELS 14-3, 4, 50, 51, 60 and 68

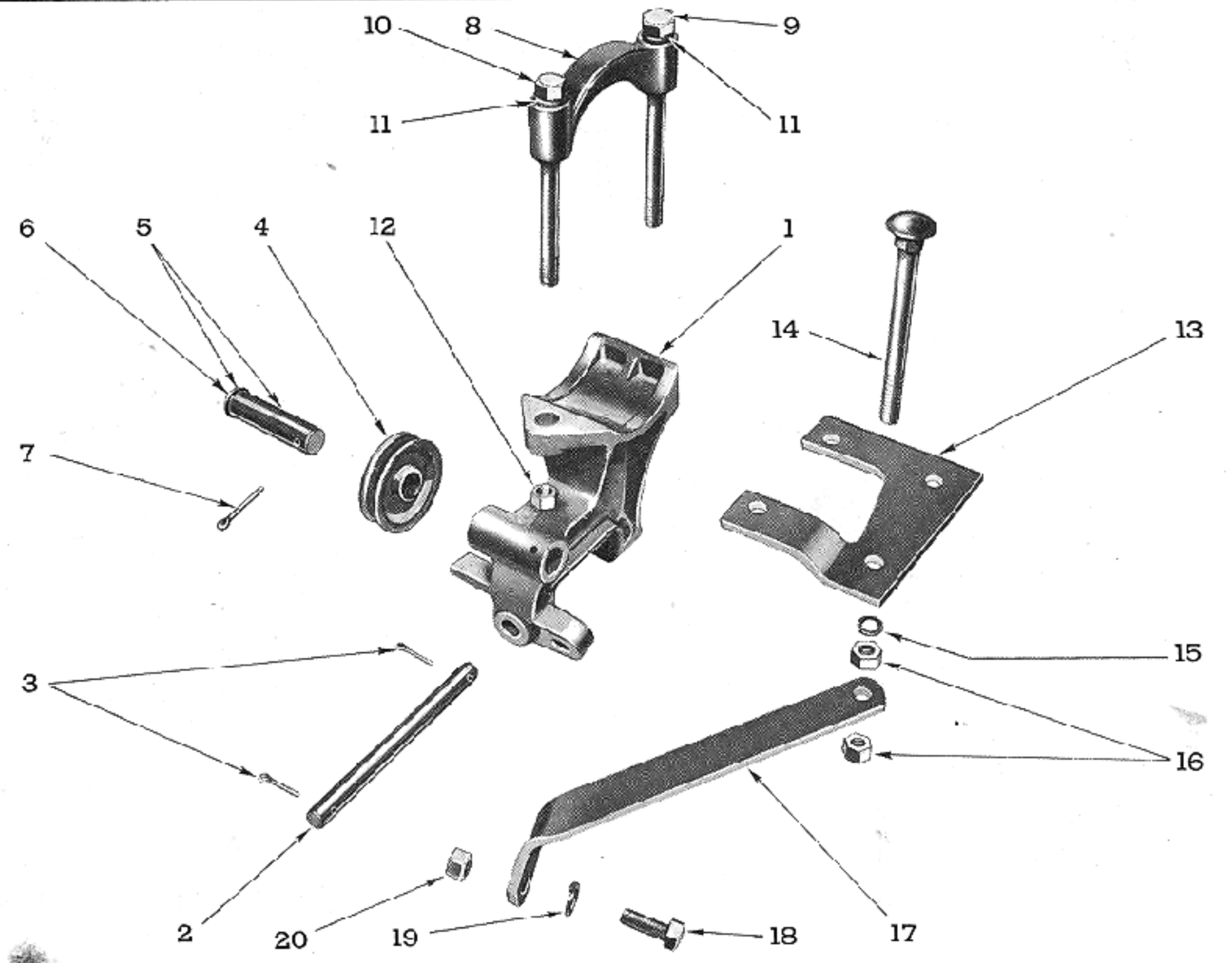


Figure 21 - Pulley Housing Support Bracket Assembly

FIG. 21	PART NO.	NAME AND DESCRIPTION	QTY. REQ.
<b>Group 2-2—PULLEY HOUSING SUPPORT BRACKET ASSEMBLY (Models 14-3, 4, 50, 51, 60 and 68)</b>			
1	140392	BRACKET, Pulley Housing Support	1
2	140210	PIN, 3/4" x 8-1/2" Drld.	1
3		COTTER PIN, 3/16" x 1-1/2" } Pulley Housing to Support Brkt.	2
4	140074	SHEAVE ASSEMBLY, Cable	1
		Consists of Sheave which is not serviced separately plus Fitting listed below:	
-		FITTING, Lube 1/4" - 28 x 1/2" Str.	1
5	140230	PIN ASSEMBLY, Cable Sheave	1
		Consists of Pin which is not serviced separately plus Ring listed below:	
6	140370	RING, Retaining	1
7		COTTER PIN, 1/4" x 2-1/4" Cable Sheave Pin to Bracket.	1
8	140217	CLAMP, Pulley Housing Support Bracket	1
9	301103	BOLT, 5/8" - 18 x 7" Hex. Hd.	1
10		BOLT, 5/8" - 18 x 7-1/2" Hex. Hd. } Clamp to Bracket to Support Plate	1
11		LOCKWASHER, 5/8"	2
12		NUT, 5/8" - 18 Hex.	2
--		WASHER, Flat .65 x 1.25 x .15	
13	140393	PLATE, Pulley Housing Support Bracket	1
14		BOLT, 5/8" - 18 x 7" Carr. } Axle Housing to Support Plate	1
15		LOCKWASHER, 5/8" } and Stabilizer	1
16		NUT, 5/8" - 18 Hex.	2
17	140243	STABILIZER, Drawbar Link	1
18		BOLT, 5/8" - 18 x 1-1/2" Hex. Hd. } Stabilizer to Drawbar Link	1
19		LOCKWASHER, 5/8"	
20		NUT, 5/8" - 18 Hex.	



# SIDE MOUNTED *Mowers*

MODELS 14-3, 4, 50, 51, 60, 68 and 77

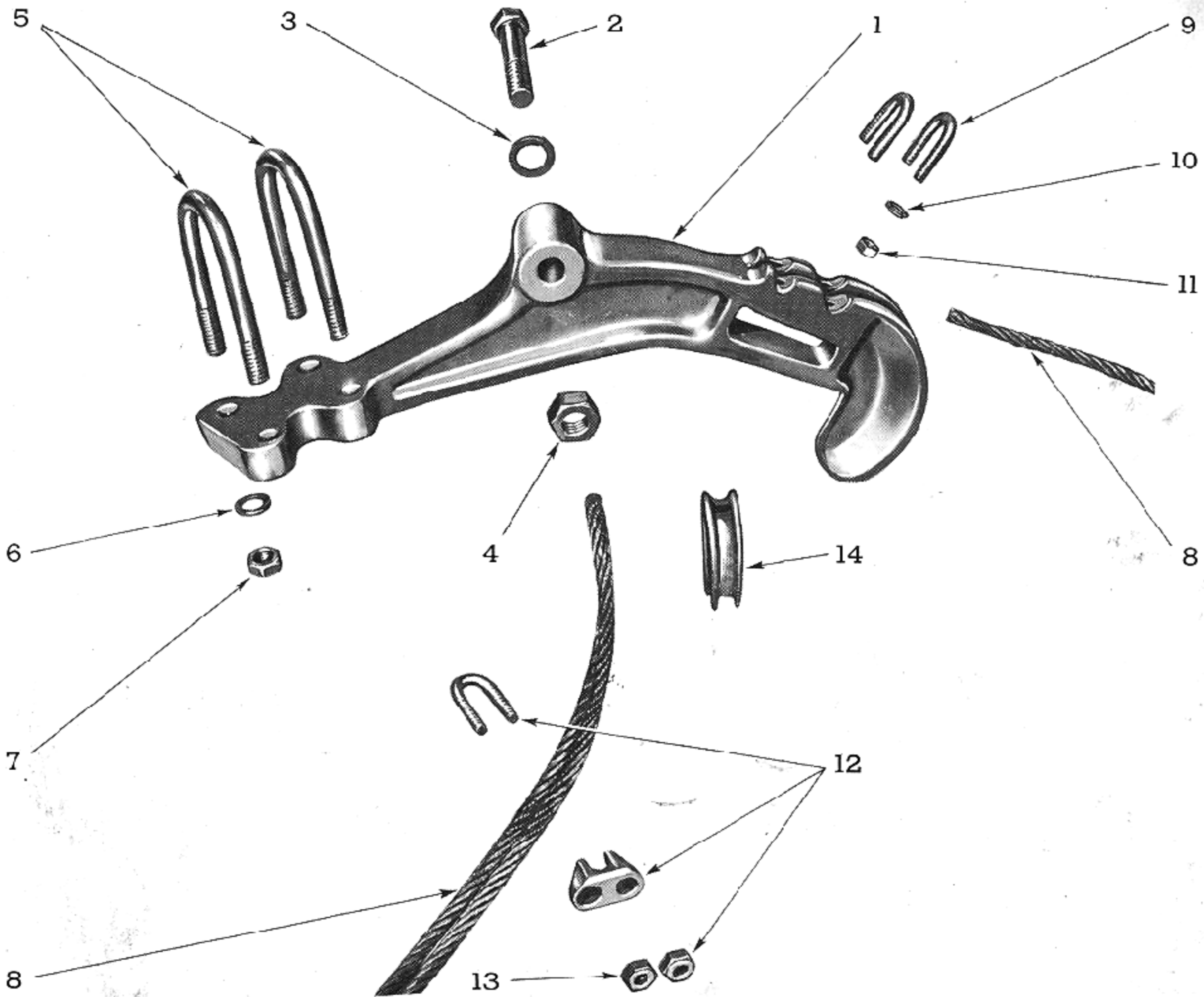


Figure 22 - Cable Extension Lever Assembly

FIG. 22	PART NO.	NAME AND DESCRIPTION	QTY. REQ.
<b>Group 2-3—CABLE EXTENSION LEVER ASSEMBLY (Models 14-3, 4 50, 51, 60, 68 and 77)</b>			
1	140129	LEVER, Cable Extension	1
2		BOLT, 5/8" - 18 x 3-3/4" Hex. Hd.	} Lever to Tractor Lift Arm
3		LOCKWASHER, 5/8"	
4		NUT, 5/8" - 18 Hex.	
5	140188	U-BOLT, 7/16" - 20	(1 Only on 14-77) 2
6		LOCKWASHER, 7/16"	} Lever to Tractor Lift Lever
7		NUT, 7/16" - 20 Hex.	
8	147057	CABLE, Extension Lever (5/16" x 115") (Models 14-3, 4, 50, 51, 60, 68)	1
-	148209	CABLE, Extension Lever (5/16" x 120") (Model 14-77 only)	1
9	140236	U-BOLT, 5/16" - 18	} Cable to Extension Lever
10		LOCKWASHER, 5/16"	
11		NUT, 5/16" - 18 Hex.	4
12	140116	CLAMP ASSEMBLY, Cable Consists of Bracket and U-Bolts which are not serviced separately plus Nuts listed below:	1
13		NUT, 5/16" - 18 Hex.	2
14	140214	THIMBLE, Cable	1

# SIDE MOUNTED *Mowers*

MODELS 14-3, 4, 50, 51, 60, 68 and 77

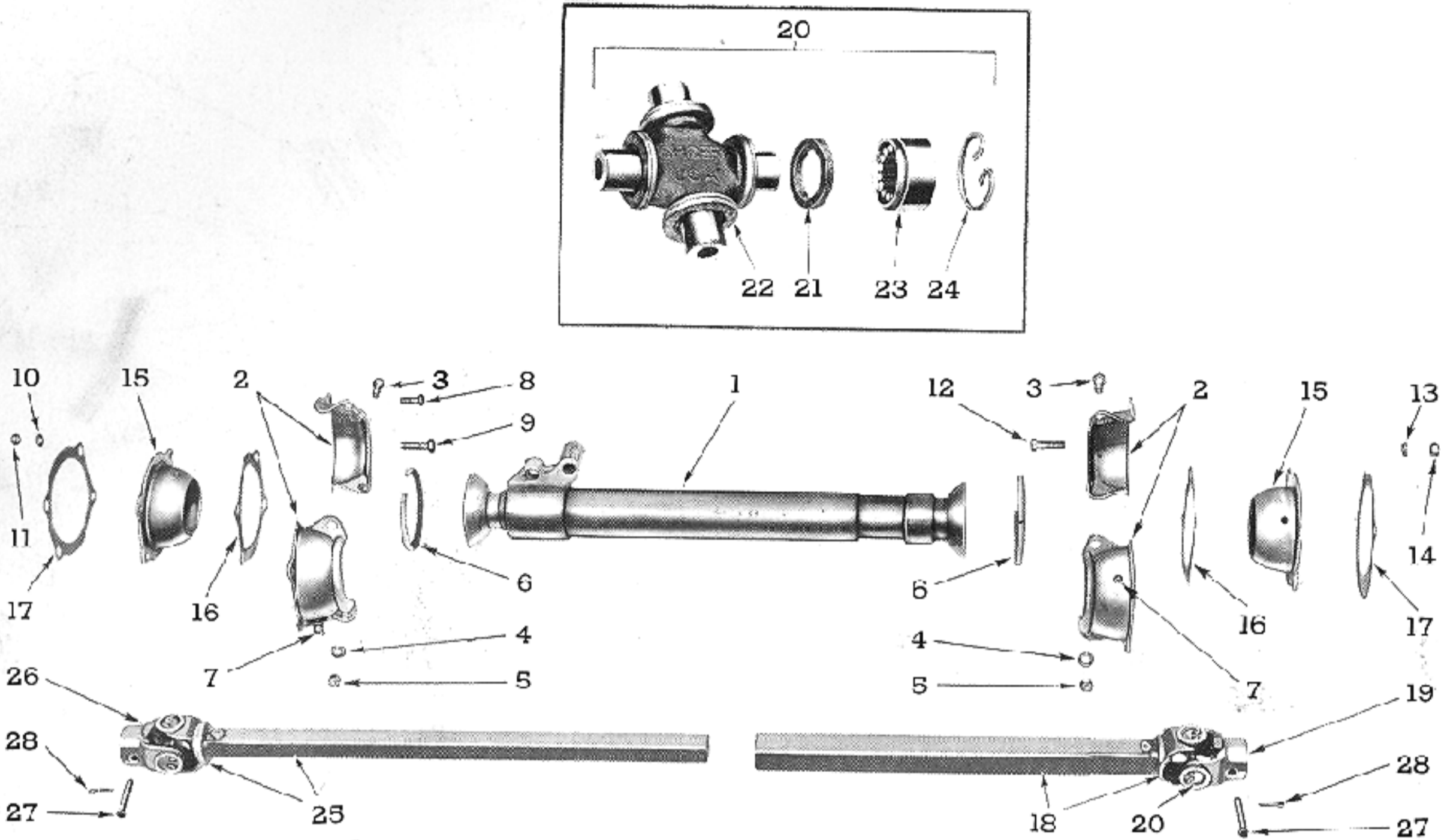


Figure 23 - Drive Shaft and Universal Joint Assemblies

FIG. 23	PART NO.	NAME AND DESCRIPTION	QTY.	REQ.
		<b>Group 2-4— DRIVE SHAFT AND UNIVERSAL JOINT ASSEMBLIES</b>	14-3,4, 50, 51, 60, 68	14-77
1	140106	PROPELLER TUBE (Welded Assembly) . . . . .	1	-
-	148217	PROPELLER TUBE (Welded Assembly) . . . . .	-	1
2	140097	CAP ASSEMBLY, U-Joint Housing - Outer . . . . . Consists of Upper and Lower Caps which are not serviced separately plus items listed below:	2	2
3		BOLT, 7/16" - 20 x 1" Hex. Hd. } Upper Cap to Lower Cap. . . . .	4	4
4		LOCKWASHER, 7/16" }		
5		NUT, 7/16" - 20 Hex. }		
6	B-4516-A	SEAL, Cork Cap . . . . .	2	2
7		FITTING, Lube, 1/8" - 27 x 1-1/32", 45° . . . . .	2	2
8		BOLT, 7/16" - 20 x 1" Hex. Hd. } Cap to Hinge Housing . . . . .	1	1
9		BOLT, 7/16" - 20 x 1-1/2" Hex. Hd. }	3	3
10		LOCKWASHER, 7/16" }	4	4
11		NUT, 7/16" - 20 Hex. }	4	4
12		BOLT, 7/16" - 20 x 1-1/2" Hex. Hd. } Cap to Pulley Housing . . . . .	4	4
13		LOCKWASHER, 7/16" }		
14		NUT, 7/16" - 20 Hex. }		
15	140096	CAP, U-Joint Housing - Inner . . . . .	2	2
16	140052	GASKET, U-Joint Housing - .015 Thickness-Inner to Outer Cap . . . . .	As Req.	As Req.
17	140053	GASKET, U-Joint Housing - .030 Thickness-Outer Cap to Hinges . . . . .	As Req.	As Req.



# SIDE MOUNTED

# Mowers

MODELS 14-3, 4, 50, 51, 60, 68 and 77

FIG. 23	PART NO.	NAME AND DESCRIPTION	QTY. REQ.	
			14-3, 4 50, 51, 60, 68	14-77
		<b>Group 2-4—DRIVE SHAFT AND UNIVERSAL JOINT ASSEMBLIES (Cont'd)</b>		
--	140103*	UNIVERSAL, Pulley End (21-1/4" Long Female) (Spicer) . . . . .	1	
--	148572*	UNIVERSAL, Pulley End (21-1/4" Long Female) (Blood Bros.) . . . . .	1	
--	148321*	UNIVERSAL, Pulley End (26-3/4" Long Female) (Spicer) . . . . .		1
--	148573*	UNIVERSAL, Pulley End (26-3/4" Long Female) (Blood Bros.) . . . . .		1
		Consists of:		
18	141145	YOKE, w/1-1/4" OD Shaft (Spicer) . . . . .	1	
--	148568	YOKE, w/1-1/4" OD Shaft (Blood Bros.) . . . . .	1	
--	148213	YOKE, w/1-1/4" OD Shaft (Spicer) . . . . .		1
--	148574	YOKE, w/1-1/4" OD Shaft (Blood Bros.) . . . . .		1
19	140181	YOKE, 1-1/8" Splined (Spicer) . . . . .	1	1
--	148570	YOKE, 1-1/8" Splined (Blood Bros.) . . . . .	1	1
--	140101	UNIVERSAL, Pitman End (26-7/16" Long Male) (Spicer) . . . . .	1	1
--	148575	UNIVERSAL, Pitman End (26-7/16" Long Male) (Blood Bros.) . . . . .	1	1
		Consists of:		
25	141144	YOKE, w/1" OD Shaft (Spicer) . . . . .	1	1
--	148571	YOKE, w/1" OD Shaft (Blood Bros.) . . . . .	1	1
26	140181	YOKE, 1-1/8" Splined (Spicer) . . . . .	1	1
--	148570	YOKE, 1-1/8" Splined (Blood Bros.) . . . . .	1	1
20	141204	KIT, Universal Service (Spicer) . . . . .	2	2
--	170521	KIT, Universal Service (Blood Bros.) . . . . .	2	2
		Consists of:		
21	140055	GASKET, Cork . . . . .	8	8
21	143538	GASKET, Cork . . . . .	8	8
22	140331	RETAINER, Gasket . . . . .	8	8
--	142787	RETAINER, Gasket . . . . .	8	8
23	140059	BEARING, Needle . . . . .	8	8
--	170497	BEARING, Needle . . . . .	8	8
24	140277	RING, Snap . . . . .	8	8
--	142789	RING, Snap . . . . .	8	8
27		PIN, 3/8" - 2" Clevis } U-Joints to Pulley Shaft and Flywheel . . . . .	2	2
		COTTER PIN, 1/8 x 3/4" }		
--	141241	DECAL, Mower Operating Speed . . . . .	1	1
		<b>*NOTE:</b> The two types of Universals can be distinguished from each other only by the outside diameters of the needle bearings or by the bearing holes in the yokes. The Blood Bros. needle bearing is 7/8" outside diameter. The Spicer needle bearing is slightly over 15/16" outside diameter.		

# SIDE MOUNTED *Mowers*

MODELS 14-3, 4, 50, 51, 60, 68 and 77

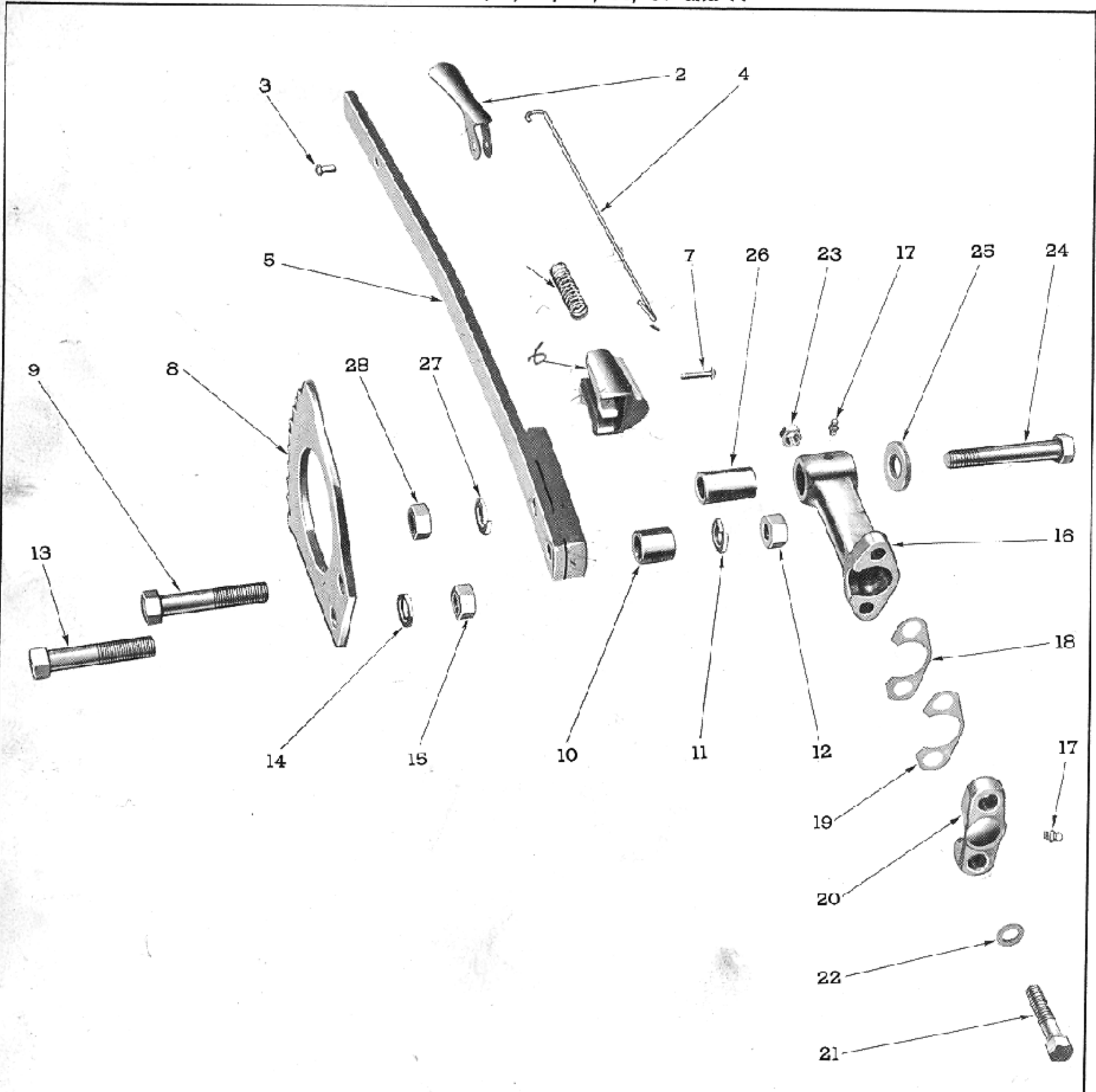


Figure 24 - Tilt Lever and Link Assemblies

FIG. 24	PART NO.	NAME AND DESCRIPTION	QTY. REQ.
		<b>Group 2-5—TILT LEVER AND LINK ASSEMBLIES (Models 14-3, 4, 50, 51, 60, 68 and 77)</b>	
1	140158	TILT LEVER ASSEMBLY . . . . .	1
		Consists of Lever which is not serviced separately plus items listed below:	
2	140125	GRIP, Handle . . . . .	1
3		RIVET, 1/4" x 3/4" Rd. Hd. - Handle Grip to Lever . . . . .	1
4	140126	ROD, Latch . . . . .	1
5	140085	SPRING, Rod . . . . .	1



# SIDE MOUNTED *Mowers*

MODELS 14-3, 4, 50, 51, 60, 68 and 77

FIG. 24	PART NO.	NAME AND DESCRIPTION	QTY. REQ.
<b>Group 2-5—TILT LEVER AND LINK ASSEMBLIES (Models -3, 4, 50, 51, 68 and 77) (Cont'd)</b>			
6	140152	LATCH .....	1
7		RIVET, 1/4" x 1-1/2" Rd. Hd. - Latch to Lever .....	1
8	140139	PLATE, Tilt Lever Ratchet .....	1
9		BOLT, 5/8" - 18 x 3" Hex. Hd.	} Tilt Lever and Ratchet Plate to Driveshaft Housing ...
10	140349	SPACER, 41/64" x .998" x 1.03" Tube - Tilt Lever	
11		LOCKWASHER, 5/8"	
12		NUT, 5/8" - 18 Hex.	
13		BOLT, 5/8" - 18 x 3" Hex. Hd.	} Ratchet Plate to Driveshaft Housing .....
14		LOCKWASHER, 5/8"	
15		NUT, 5/8" - 18 Hex.	
16	140138	LINK, Tilt. ....	1
17		FITTING, Lube 1/4" - 28 x 1/2" Str. Tilt Link and Ball Socket Cap .....	2
18	140174	SHIM, .005 - .007 .....	As Req.
19	140175	SHIM, .010 - .012 .....	As Req.
20	140064	CAP, Tilt Link Ball Socket .....	1
21		BOLT, 7/16" - 20 x 1-3/4" Hex. Hd.	} Ball Socket Cap to Tilt Link .....
22		LOCKWASHER, 7/16"	
23		NUT, 7/16" - 20 Hex.	
24		BOLT, 5/8" - 18 x 3-3/4" Hex. Hd.	} Tilt Link to Tilt Lever .....
25	141327	WASHER, Flat	
26	140350	SPACER, 41/64" x 1.05" x 1.68" Tube	
27		LOCKWASHER, 5/8"	
28		NUT, 5/8" - 18 Hex.	1

# SIDE MOUNTED *Mowers*

MODELS 14-3, 4, 50, 51, 60, 68 and 77

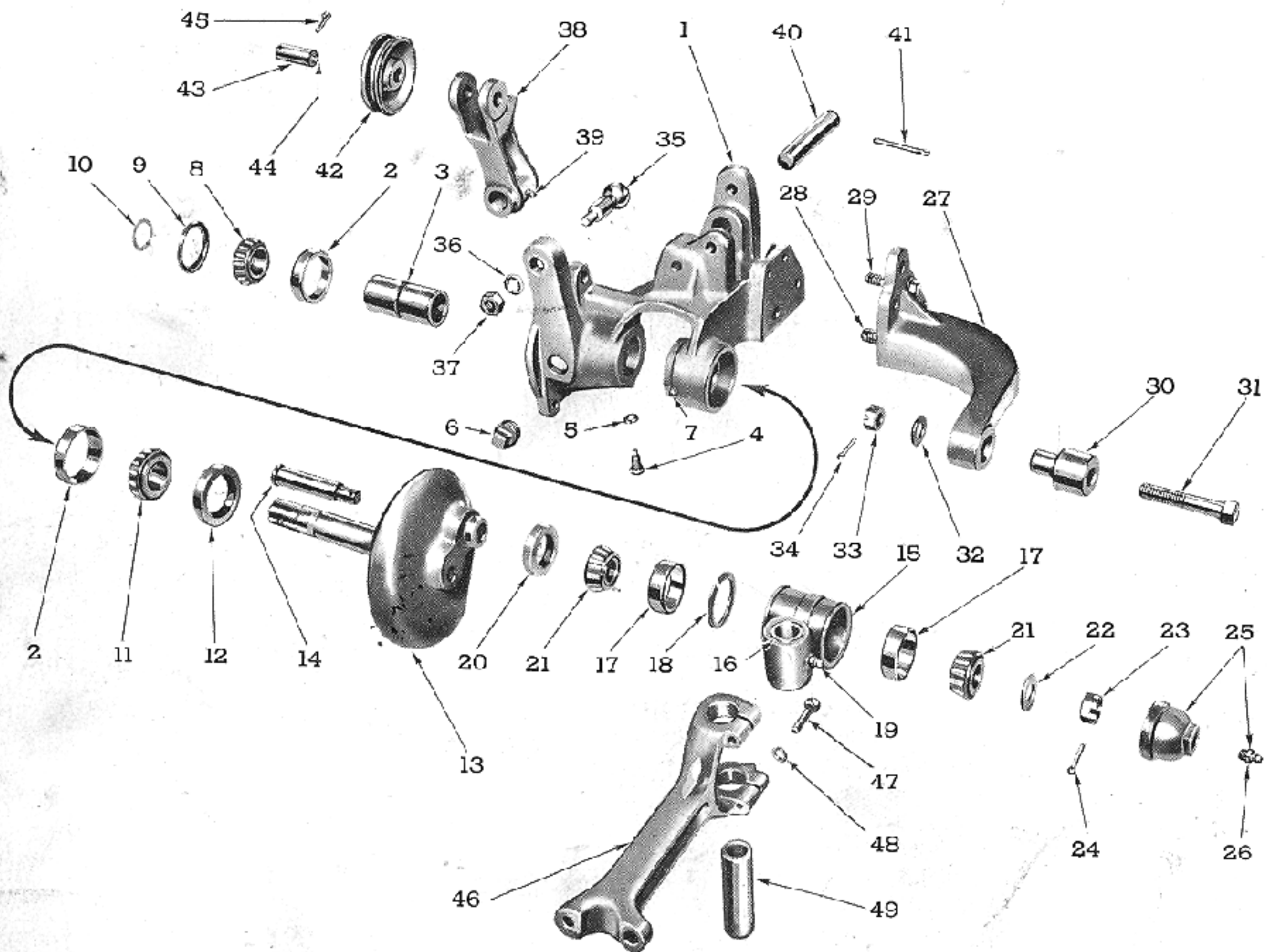


Figure 25 - Hinge and Crankshaft Assemblies

FIG. 25	PART NO.	NAME AND DESCRIPTION	QTY. REQ.
		<b>Group 2-6—HINGE AND CRANKSHAFT ASSEMBLIES (Models 14-3, 4, 50, 51, 60, 68 and 77)</b>	
1	140147	HINGE ASSEMBLY . . . . .	1
		Consists of Hinge Housing which is not serviced separately plus items listed below:	
-		FITTING, Lube, 1/4" - 28 x 3/4", 45° . . . . .	1
2	B-1202	CUP, Bearing . . . . .	2
3	140161	TUBE, Hinge . . . . .	1
4	140264	SET SCREW, 3/8" - 16 x .93" Spec. } Hinge Housing to Tube . . . . .	1
5		LOCKWASHER, 3/8" . . . . .	1
6		PLUG, 3/4" - 14 Sq. Hd. Pipe, Hinge Housing . . . . .	2
7		FITTING, Lube, 1/4" - 28 x 1/2" Str. - Hinge Bearing . . . . .	1
8	A-1202	CONE, Crankshaft Bearing . . . . .	1
9	140193	SHIELD, Crankshaft Bearing Oil Seal . . . . .	1
10	140250	SHIM, .0184 } Crankshaft Bearing Adjusting . . . . .	As Req.
10	140251	SHIM, .0245	
10	140252	SHIM, .0306	



# SIDE MOUNTED

# Mowers

MODELS 14-3, 4, 50, 51, 60, 68 and 77

FIG. 25	PART NO.	NAME AND DESCRIPTION	QTY. REQ.
<b>Group 2-6—HINGE AND CRANKSHAFT ASSEMBLIES (Models 14-3, 4, 50, 51, 60, 68, and 77) (Cont'd)</b>			
10	140253	SHIM, .0368	} Crankshaft Bearing Adjusting . . . . . As Req.
10	140254	SHIM, .005	
11	A-1201	CONE, Hinge Bearing . . . . .	1
12	140337	SEAL, Hinge Bearing Oil . . . . .	1
13	141148	CRANKSHAFT and PITMAN PIN ASSEMBLY . . . . .	1
		Consists of Crankshaft which is not serviced separately plus Pitman Pin listed below:	
14	140204	PIN, Pitman . . . . .	1
--	140415	PITMAN BOX ASSEMBLY	
		Consists of:	
15	141317	BOX and BUSHING ASSEMBLY, PITMAN . . . . .	1
		Consists of Box which is not serviced separately plus Bushing listed below:	
16	141319	BUSHING, .980" x 1.1295" x 1" Clevite . . . . .	2
17	8M-1217	CUP, Bearing, Timken 12520 . . . . .	2
18	141323	RING, Snap . . . . .	1
19		FITTING, Lube, 1/4" - 28 x 1/2" Str. . . . .	1
20	141322	SEAL, Oil . . . . .	1
21	8M-1216	CONE, Bearing, Timken 12580 . . . . .	2
22		WASHER, .65 x 1.25 x .15 Flat	} Pitman Pin Bearing Adjusting . . . . . 1
23		NUT, 5/8" - 18 Slotted Hex.	
24		COTTER PIN, 1/8" - 1-1/4"	
25	141324	CAP ASSEMBLY, Pitman Pin Dust . . . . .	1
		Consists of Cap which is not serviced separately plus Fitting listed below:	
26	300006	FITTING, Lube, 1/8" - 27 x 3/4" Vented . . . . .	1
27	140148	BRACKET, Hinge . . . . .	1
28	141248	BOLT, 5/8" - 18 x 2" Hex. Hd.	} Hinge Bracket to Hinge . . . . . 1
--		LOCKWASHER, 5/8"	
--		NUT, 5/8" - 18 Hex.	
--		COTTER PIN, 1/8" x 1-1/2"	
29	141247	BOLT, 7/16" - 20 x 2" Hex. Hd.	} Hinge Bracket to Hinge . . . . . 3
--		WASHER, 7/16" Flat	
--		LOCKWASHER, 7/16"	
--		NUT, 7/16" - 20 Hex. Slotted	
--		COTTER PIN, 3/32" x 1"	
30	140206	PIN, .998" x 1.68" x 2.43" Hinge . . . . .	1
31		BOLT, 5/8" - 18 x 3-1/4" Hex. Hd.	} Hinge Pin to Hinge Bracket . . . . . 1
32		WASHER, 5/8" Flat	
33		NUT, 5/8" - 18 Hex. Slotted	
34		COTTER PIN, 1/8" x 1-1/2"	
35	140333	BALL, Tilt Link . . . . .	1
36		LOCKWASHER, 9/16"	} Tilt Link Ball to Hinge Housing . . . . . 1
37		NUT, 9/16" - 18 Hex.	
38	140070	BRACKET, Cable Sheave . . . . .	1
39		FITTING, Lube, - 1/4" - 28 x 1/2" Str. - Cable Sheave Bracket . . . . .	1
40	140203	PIN, .998" x 5"	} Cable Sheave Bracket to Hinge Housing . . . . . 1
41		COTTER PIN, 1/4" x 2-1/2"	
42	140068	SHEAVE, Cable . . . . .	1
43	140198	PIN, Cable Sheave . . . . .	1
44		FITTING, Lube, 1/4" - 28 x 1/2" Str. - Cable Sheave Pin . . . . .	1
45		COTTER PIN, 3/16" x 2" - Cable Sheave Pin to Bracket . . . . .	1

NOTE: For Items 46 thru 49, see page No. 60.

# SIDE MOUNTED *Mowers*

MODELS 14-3, 4, 50, 51, 60, 68 and 77

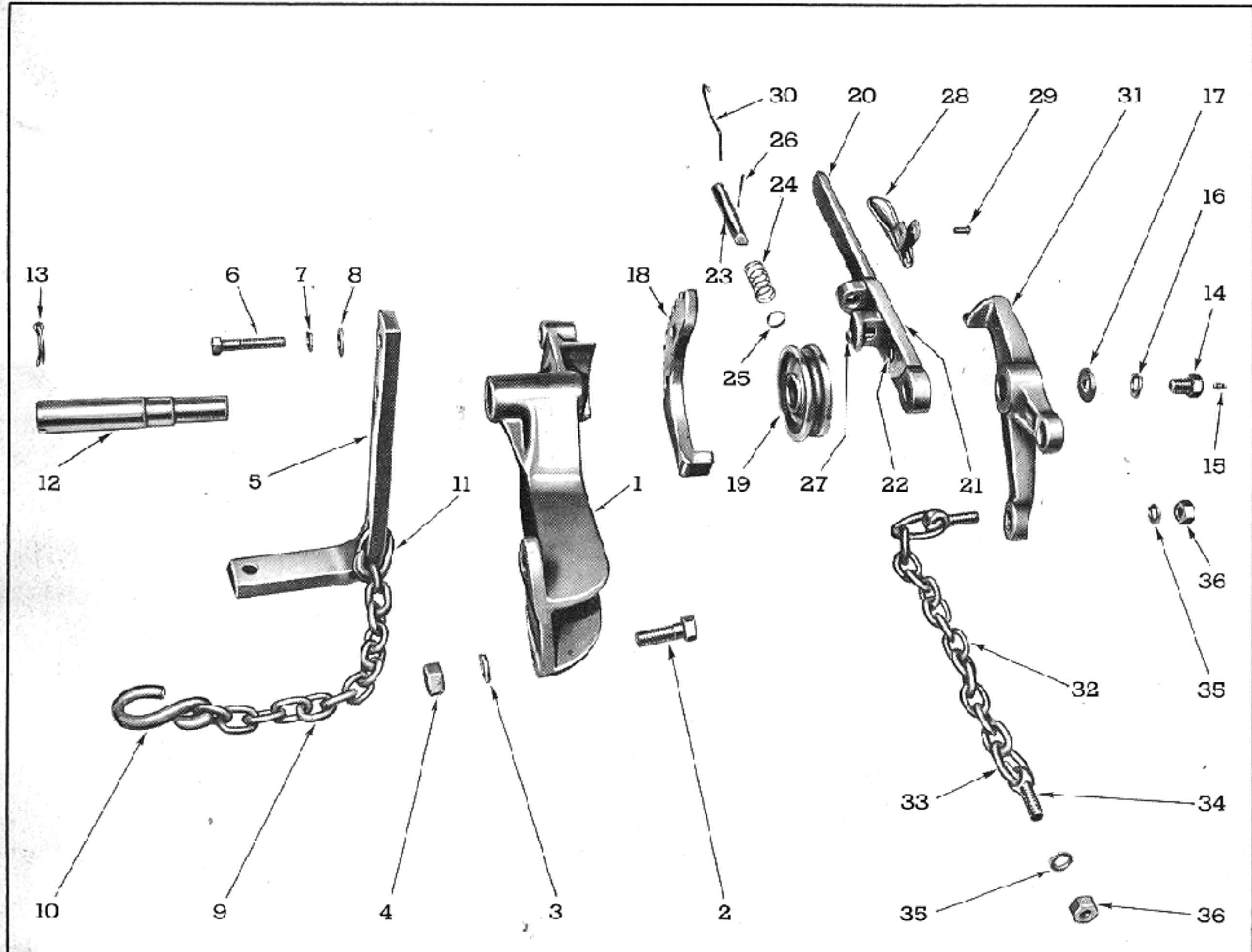


Figure 26 - Pedestal Assembly

FIG. 26	PART NO.	NAME AND DESCRIPTION	QTY. REQ.		
			14-3, 4	14-50, 51, 60, 68	14-77
<b>Group 2-7— PEDESTAL ASSEMBLY</b>					
-	145628	PEDESTAL.....	-	-	1
1	140119	PEDESTAL.....	1	-	-
2		BOLT, 5/8" - 11 x 2" Hex. Hd.			
3		LOCKWASHER, 5/8"                      Pedestal to Frame.....	2	-	-
4		NUT, 5/8" - 11 Hex.			
5	140358	BRACKET, Support Rod .....	1	-	-
6		BOLT, 1/2" - 20 x 2-3/4" Hex. Hd.    } Bracket to Pedestal	2	-	-
7		LOCKWASHER, 1/2"                      } Strap to Pedestal....	2	-	-
8		WASHER, 1/2" Flat	2	-	-
9	140027	CHAIN, Safety Link .....	1	-	1
10	140133	HOOK, Chain.....	1	-	1
11	141528	LINK, Repair - Chain to Support Rod Bracket.....	1	-	1
	140190	EYE-BOLT			
--		LOCKWASHER, 1/2"    } Chain to Pedestal .....	-	-	1
--		NUT, 1/2" - 13 Hex.    }			



# SIDE MOUNTED *Mowers*

MODELS 14-3, 4, 50, 51, 60, 68 and 77

FIG. 26	PART NO.	NAME AND DESCRIPTION	QTY. REQ.		
			14-3, 4	14-50, 51, 60, 68	14-77
<b>Group 2-7 PEDESTAL ASSEMBLY(Cont'd)</b>					
12	140242	PIN, Pedestal .....	1	-	1
13		COTTER PIN, 1/4" - 1-3/4" .....			
14	140269	SCREW, Retainer .....			
15		FITTING, Lube, 1/4" - 28 x 1/2" Str. } Counter Balance, Curb Lift Lever and Cable Sheave to Pedestal .....			
16		LOCKWASHER, 5/8" .....			
17	141327	WASHER, 21/32" Flat .....	1	1	1
18	140150	RATCHET, Curb Lift .....	-	1	1
--		BOLT, 1/2" - 20 x 2" Hex. Hd. } Ratchet to Pedestal			
--		LOCKWASHER, 1/2" } (Lower) .....	1	-	1
19	140430	SHEAVE, Cable .....	-	1	1
20	140169	LEVER, Curb Lift .....	-	1	1
21	140140	END, Curb Lift Lever .....	-	1	1
22		RIVET, 5/16" x 1-3/8" Flat Hd. - Lever to End. ....	-	2	2
23	140121	PAWL, Curb Lift Lever .....	-	1	1
24	140090	SPRING, Lever, Pawl Release .....	-	1	1
25	140237	WASHER, 41/64" Flat-Spring Retaining .....	-	1	1
26		COTTER PIN, 1/8" x 1-1/4" } Pawl Retaining .....			
27		RIVET, 5/16" x 1-3/8" Rd. Hd. } .....		1	1
28	140125	GRIP, Lever Handle .....	-	1	1
29		RIVET, 1/4" x 3/4" Rd. Hd. - Grip to Lever .....	-	1	1
30	140127	ROD, Lever Latch .....	-	1	1
31	140356	LEVER, Counter Balance .....	-	1	1
32	140026	CHAIN, Counter Balance, 12 Links .....	-	1	1
33	141528	LINK, Repair - Chain to Eye Bolt .....	-	1	1
34	140190	BOLT, Eye .....	-	2	2
35		LOCKWASHER, 1/2" } Eye Bolt to Lever .....			
36		NUT, 1/2" - 13 Hex. } .....		2	2

# SIDE MOUNTED *Mowers*

MODELS 14-3, 4, 50, 51, 60, 68 and 77

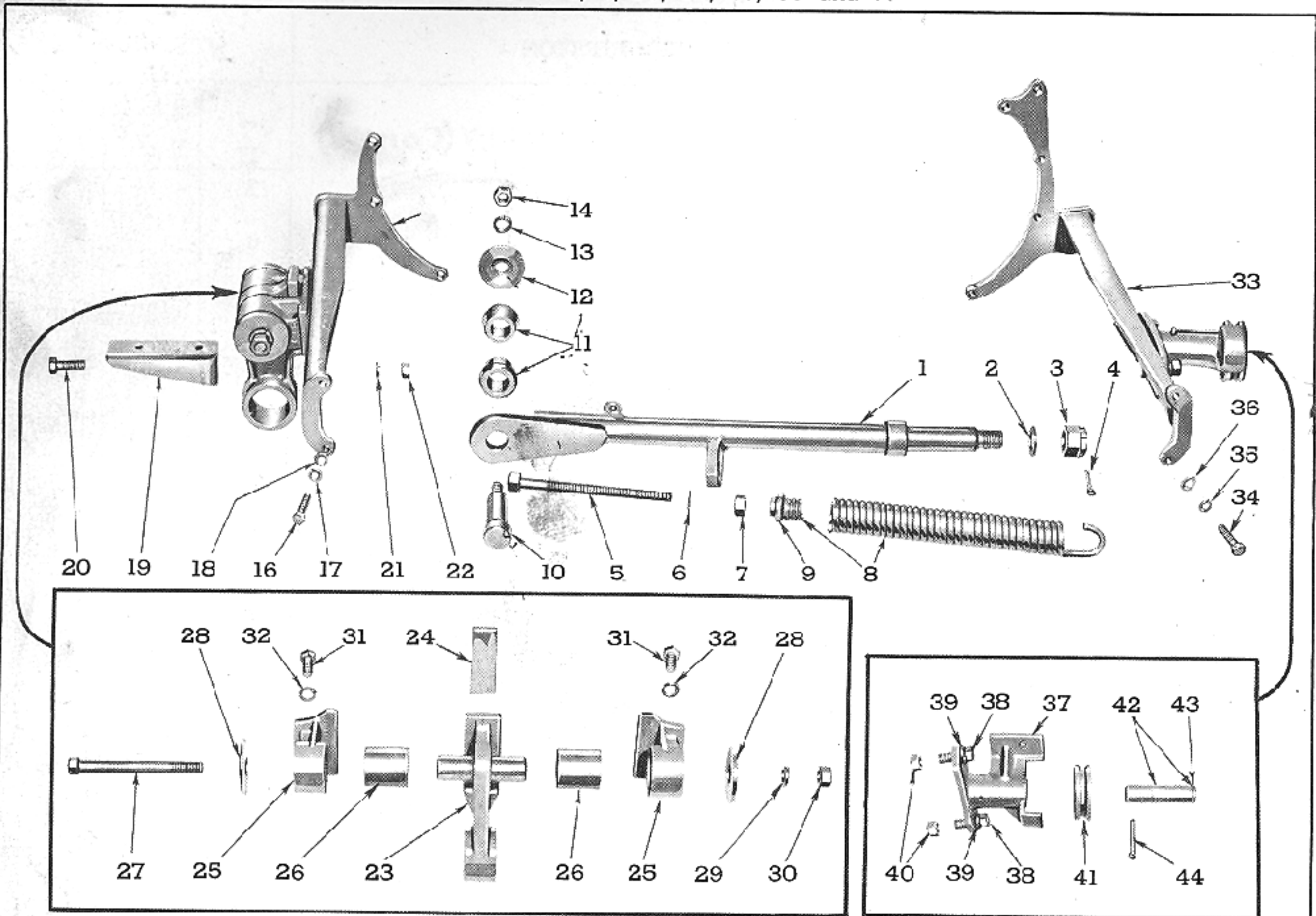


Figure 27 - Dragbar and Frame Assemblies

FIG. 27	PART NO.	NAME AND DESCRIPTION	QTY. REQ.			
			14-3, 4	14-50, 51, 60	14-68	14-77
		<b>Group 2-8 — DRAGBAR ASSEMBLY</b>				
		<b>FRAME ASSEMBLY (14-3, 4 Only)</b>				
1	140381	DRAGBAR (Welded Assembly) . . . . .	1	1	1	-
-	148218	DRAGBAR (Welded Assembly) . . . . .	-	-	-	1
2	140238	WASHER, 1-1/8" Flat				
3		NUT, 1-1/8" - 12 Castle } Dragbar to Hinge . . . . .	1	1	1	1
4		COTTER PIN, 3/16" x 2" }				
5	140257	SCREW, Bar Balance Spring Adjusting (Welded Assembly) . . . . .	1	1	1	1
6		WASHER, 5/8" } Bar Balance Spring Adjusting Screw . . . . .				
7		NUT, 5/8" - 11 Hex. }	1	1	1	1
8	140082	SPRING ASSEMBLY, Cutter Bar Balance . . . . .	1	1	1	1
		Consists of Spring which is not serviced separately plus Plug listed below:				
9	140088	PLUG, 5/8" - 11 . . . . .	1	1	1	1
10	140278	PIN, 3/4" - 16 x 4.93	1	1	1	1
11	141395	BUSHING, Rubber	2	2	2	2
12	140255	WASHER, Flat	1	1	1	1
13		LOCKWASHER, 3/4" } Dragbar to Dragbar Arm . . . . .	1	1	1	1
14		NUT, 3/4" - 16 Hex. }	1	1	1	1



# SIDE MOUNTED *Mowers*

MODELS 14-3, 4, 50, 51, 60, 68 and 77

FIG. 27	PART NO.	NAME AND DESCRIPTION	QTY. REQ.			
			14-3, 4	14-50, 51, 60	14-68	14-77
<b>Group 2-8 — DRAGBAR AND FRAME ASSEMBLY (Cont'd)</b>						
15	140374	FRAME, L. H. (Welded Assembly).....	1	-	-	-
16		BOLT, 5/8" - 11 x 1-3/4" Hex. } Frame to Tractor .....	2	-	-	-
17		LOCKWASHER, 5/8" } .....	2	-	-	-
18		WASHER, 5/8" Flat } .....	2	-	-	-
--		BOLT, 7/16" - 14 x 1-3/4" Hex. Hd. } L. H. Frame to Tractor ...	5	-	-	-
--		LOCKWASHER, 7/16" } .....	5	-	-	-
--		WASHER, 7/16" Flat } .....	6	-	-	-
--	140218	SHIM } .....	2	-	-	-
19	140378	BRACKET, Running Board .....	1	-	-	-
20		BOLT, 1/2" - 20 x 1-1/2" Hex. Hd. } Running Board Bracket				
21		LOCKWASHER, 1/2" } to Frame .....	1	-	-	-
22		NUT, 1/2" - 20 Hex. } .....	1	-	-	-
23	140377	ARM, Dragbar .....	1	1	-	1
24	140196	BLOCK, Rubber - Dragbar Arm to Frame .....	1	1	-	1
25	140132	BRACKET, Dragbar Arm .....	2	2	-	2
--	148554	SHIM, Dragbar Arm Bracket (1/4 x 4 x 6) .....	-	-	-	2
26	141396	BUSHING, Dragbar Arm Bracket Rubber .....	2	2	-	2
27	303018	BOLT, 3/4" - 16 x 7" Hex. Hd. } Dragbar Brackets to Arm ..	1	1	-	1
28	140255	WASHER, 25/32" x 3.12" x .31" Flat } .....	2	2	-	2
29		LOCKWASHER, 3/4" } .....	1	1	-	1
30		NUT, 3/4" - 16 Hex. } .....	1	1	-	1
31		BOLT, 5/8" - 18 x 2" Hex. Hd. } Dragbar Bracket to				
32		LOCKWASHER, 5/8" } L. H. Frame.....	2	2	-	2
33	140446	FRAME, R. H. (Welded Assembly).....	1	-	-	-
34		BOLT, 7/16" - 14 x 1-3/4" Hex. Hd. } R. H. Frame to Tractor ...	6	-	-	-
35		LOCKWASHER, 7/16" } .....	6	-	-	-
36		WASHER, 7/16" } .....	6	-	-	-
--	140218	SHIM .....	2	-	-	-
37	140368	BRACKET, Cable Sheave .....	1	-	-	-
38		BOLT, 5/8" - 18 x 1-3/4" Hex. Hd. } Cable Sheave Bracket				
39		LOCKWASHER, 5/8" } to R. H. Frame .....	2	-	-	-
40		NUT, 5/8" - 18 Hex. } .....	2	-	-	-
41	140074	SHEAVE ASSEMBLY, Cable .....	1	1	1	1
		Consists of Sheave which is not serviced separately plus Fitting listed below:				
--		FITTING, Lube, 1/4" - 28 x 1/2" Str. ....	1	1	1	1
42	140230	PIN ASSEMBLY, Cable .....	1	1	1	1
		Consists of Pin which is not serviced separately plus Ring listed below:				
43	140370	RING, Retaining .....	1	1	1	1
44		COTTER PIN, 1/4" x 2-1/4" - Cable Pin and Sheave to Bracket ..	1	1	1	1

# SIDE MOUNTED *Mowers*

MODELS 14-3, 4, 50, 51, 60, 68 and 77

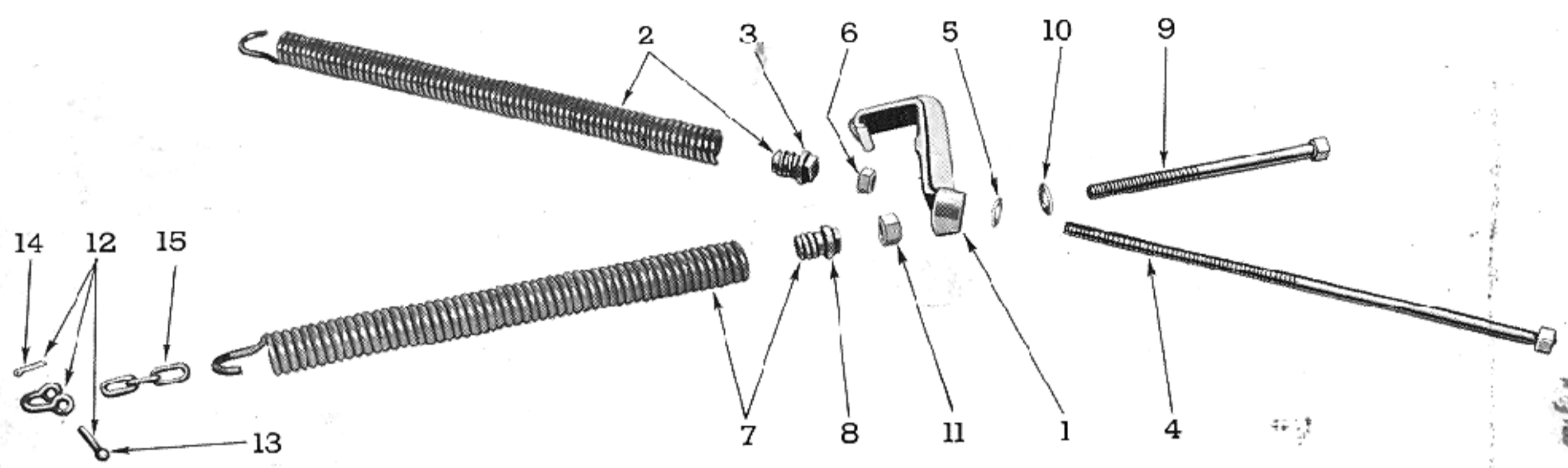


Figure 28 - Hinge Balance and Pull Spring Assemblies

FIG. 28	PART NO.	NAME AND DESCRIPTION	QTY. REQ.
<b>Group 2-9—HINGE BALANCE AND PULL SPRING ASSEMBLIES (Models 14-3, 4, 50, 51, 60, 68 and 77)</b>			
1	140389	BRACKET, Pull Spring .....	1
2	140093	SPRING and PLUG ASSEMBLY, Hinge Balance .....	1
		Consists of Spring which is not serviced separately plus Plug listed below:	
3	140088	PLUG, 5/8" - 11 .....	1
4	140228	SCREW, Hinge Balance Adjusting (Welded Assembly) .....	1
5		WASHER, 5/8" Flat } Bracket to Adjusting Screw .....	1
6		NUT, 5/8" - 11 Hex. }	1
7	140087	SPRING and PLUG ASSEMBLY, Pull .....	1
		Consists of Spring which is not serviced separately plus Plug listed below:	
8	140089	PLUG, 3/4" - 10 .....	1
9	140259	SCREW, Pull Spring Adjusting (Welded Assembly) .....	1
10		WASHER, 3/4" Flat } Bracket to Adjusting Screw .....	1
11		NUT, 3/4" - 10 Hex. }	1
12	141381	CLEVIS ASSEMBLY, Chain .....	1
		Consists of Clevis which is not serviced separately plus Items listed below:	
13		PIN, 1/2" x 1-15/16" Pull Spring Chain Clevis .....	1
14		COTTER PIN, 1/8" x 1" - Pull Spring Clevis Pin .....	1
15	140029	CHAIN, Pull Spring 3 Links .....	1



# SIDE MOUNTED *Mowers*

MODELS 14-3, 4, 50, 51, 60, 68 and 77

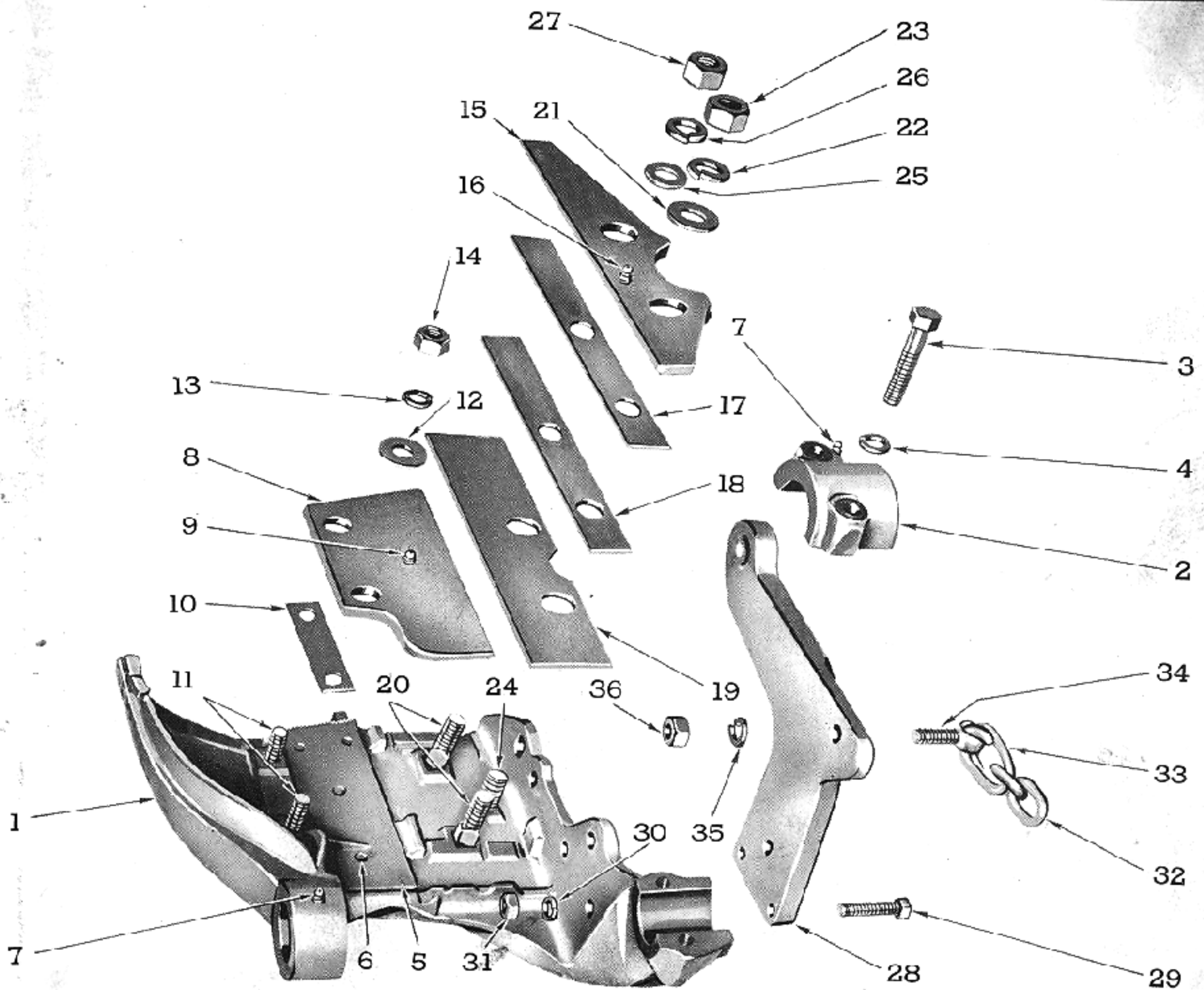


Figure 29 - Inner Shoe Assembly

FIG. 29	PART NO.	NAME AND DESCRIPTION	QTY. REQ.
		<b>Group 2-10—INNER SHOE ASSEMBLY (Models 14-3, 4, 50, 51, 60, 68 and 77)</b>	
1	140034	INNER SHOE ASSEMBLY . . . . .	1
		Consists of Shoe which is not serviced separately plus items listed below:	
2	140317	CAP, Inner Shoe . . . . .	1
3		BOLT, 7/16" - 20 x 2" Hex. Hd. } Cap to Inner Shoe . . . . .	1
4		LOCKWASHER, 7/16" } . . . . .	2
5	143568	PLATE, Inner Shoe Wear . . . . .	1
6		RIVET, 3/16" x 7/8" Flat Hd. - Wear Plate to Inner Shoe . . . . .	4
7		FITTING, Lube, 1/4" - 28 x 1/2" Str. - Inner Shoe and Cap. . . . .	2
8	140155	KNIFE GUIDE ASSEMBLY, Front . . . . .	1
		Consists of Guide which is not serviced separately plus Fitting listed below:	
9		FITTING, Lube, 1/4" - 28 x 1/2" Str. . . . .	1
10	141031	SHIM, .015 . . . . .	As Req.
11		BOLT, 7/16" - 14 x 1-3/4" Carr. } Front Knife Guide to Inner Shoe . . . . .	2
12		WASHER, 7/16" Flat } . . . . .	2
13		LOCKWASHER, 7/16" } . . . . .	2
14		NUT, 7/16" - 14 Hex. } . . . . .	2



# SIDE MOUNTED *Mowers*

MODELS 14-3, 4, 50, 51, 60, 68 and 77

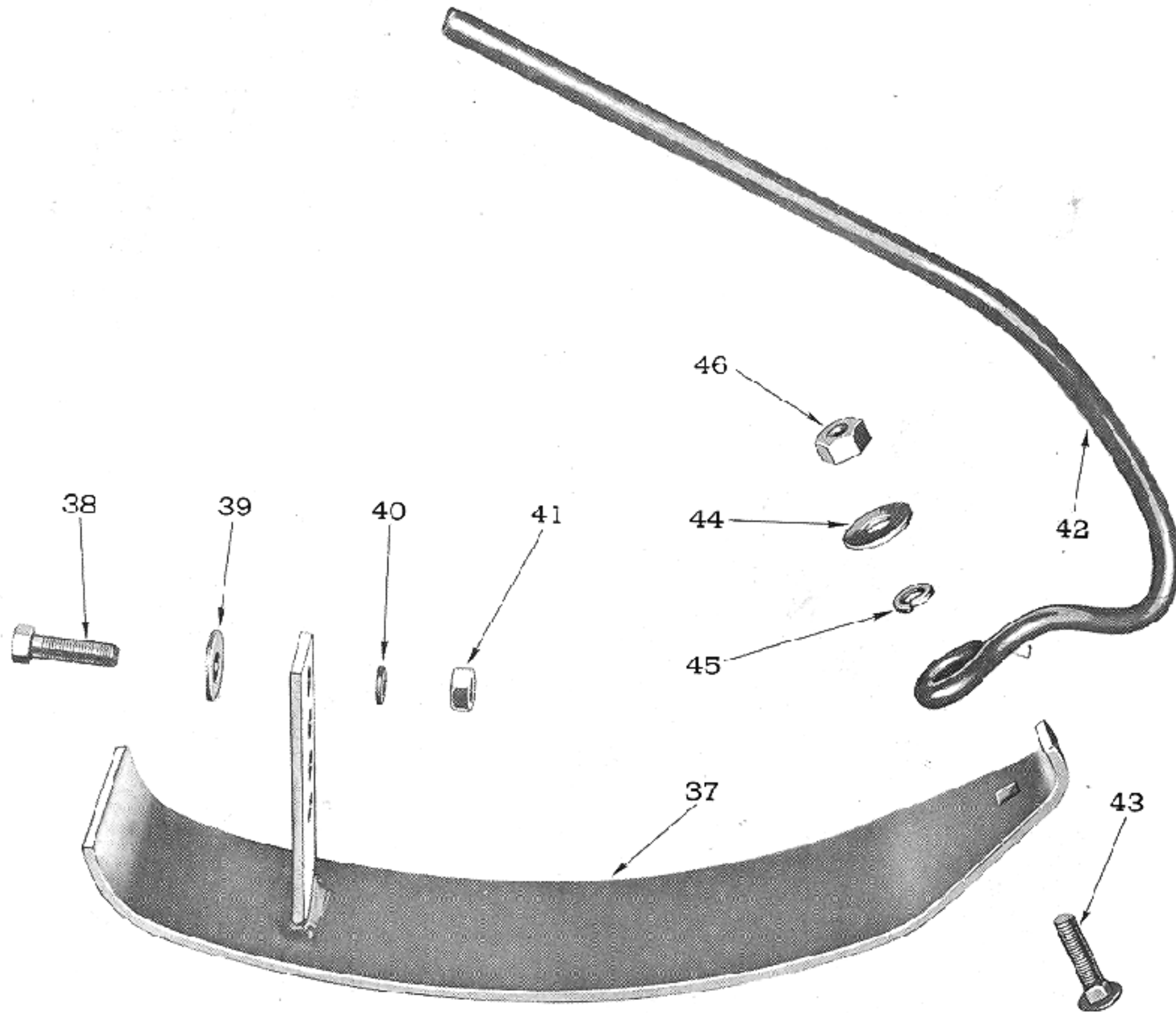


Figure 29A - Inner Shoe Sole

FIG. 29	PART NO.	NAME AND DESCRIPTION	QTY. REQ.
		<b>Group 2-10 — INNER SHOE ASSEMBLY (Models 14-3, 4, 50, 51, 60, 68 and 77)</b>	
15	140157	KNIFE GUIDE ASSEMBLY, Rear . . . . .	1
		Consists of Guide which is not serviced separately plus Fitting listed below:	
16		FITTING, Lube, 1/4" - 28 x 1/2" Str. . . . .	1
17	140260	SHIM, .015	} Rear Knife Guide to Wear Plate. . . . .
18	141037	SHIM, .1196	
19	140041	PLATE, Rear Knife Guide Wear . . . . .	1
20		BOLT, 5/8" - 18 x 2.68" Carr.	} Rear Knife Guide and Cutter Bar to Inner Shoe . . . . .
21		WASHER, 5/8" Flat	
22		LOCKWASHER, 5/8"	
23		NUT, 5/8" - 18 Hex.	
24	300061	BOLT, 5/8" - 18 x 1-3/4" Carr.	
25		WASHER, 5/8" Flat	
26		LOCKWASHER, 5/8"	
27		NUT, 5/8" - 18 Hex.	
28	140047	LEVER, Inner Shoe Elevator . . . . .	1
29		BOLT, 7/16" - 20 x 20 x 2" Hex. Hd.	} Lever to Inner Shoe . . . . .
30		LOCKWASHER, 7/16"	
31		NUT, 7/16" - 20 Hex.	



# SIDE MOUNTED *Mowers*

MODELS 14-3, 4, 50, 51, 60, 68 and 77

FIG. 29	PART NO.	NAME AND DESCRIPTION	QTY. REQ.	
		<b>Group 2-10—INNER SHOE ASSEMBLY (Models 14-3, 4, 50, 51, 60, 68 and 77)(Cont'd)</b>		
32	140431	CHAIN, Bar Balance .....	1	
33	141528	LINK, Repair .....	1	
34	140190	EYE BOLT		
35		} Bar Balance Chain to Lever .....	1	
36				NUT, 1/2" - 13 Hex.
FIG. 29A				
37	140032	SOLE, Inner Shoe (Welded Assembly) .....	1	
38		} Sole to Inner Shoe .....	1	
39				BOLT, 7/16" - 20 x 1-1/2" Hex. Hd.
40				WASHER, 7/16" Flat
41				LOCKWASHER, 7/16" NUT, 7/16" - 20 Hex.
42	140286	ROD, Grass .....	1	
43		} Grass Rod and Sole to Shoe .....	1	
44				BOLT, 7/16" - 14 x 1-3/4" Carr.
45				WASHER, 7/16" Flat
46				LOCKWASHER, 7/16" NUT, 7/16" - 20 Hex.

# SIDE MOUNTED *Mowers*

MODELS 14-3, 4, 50, 51, 60, 68 and 77

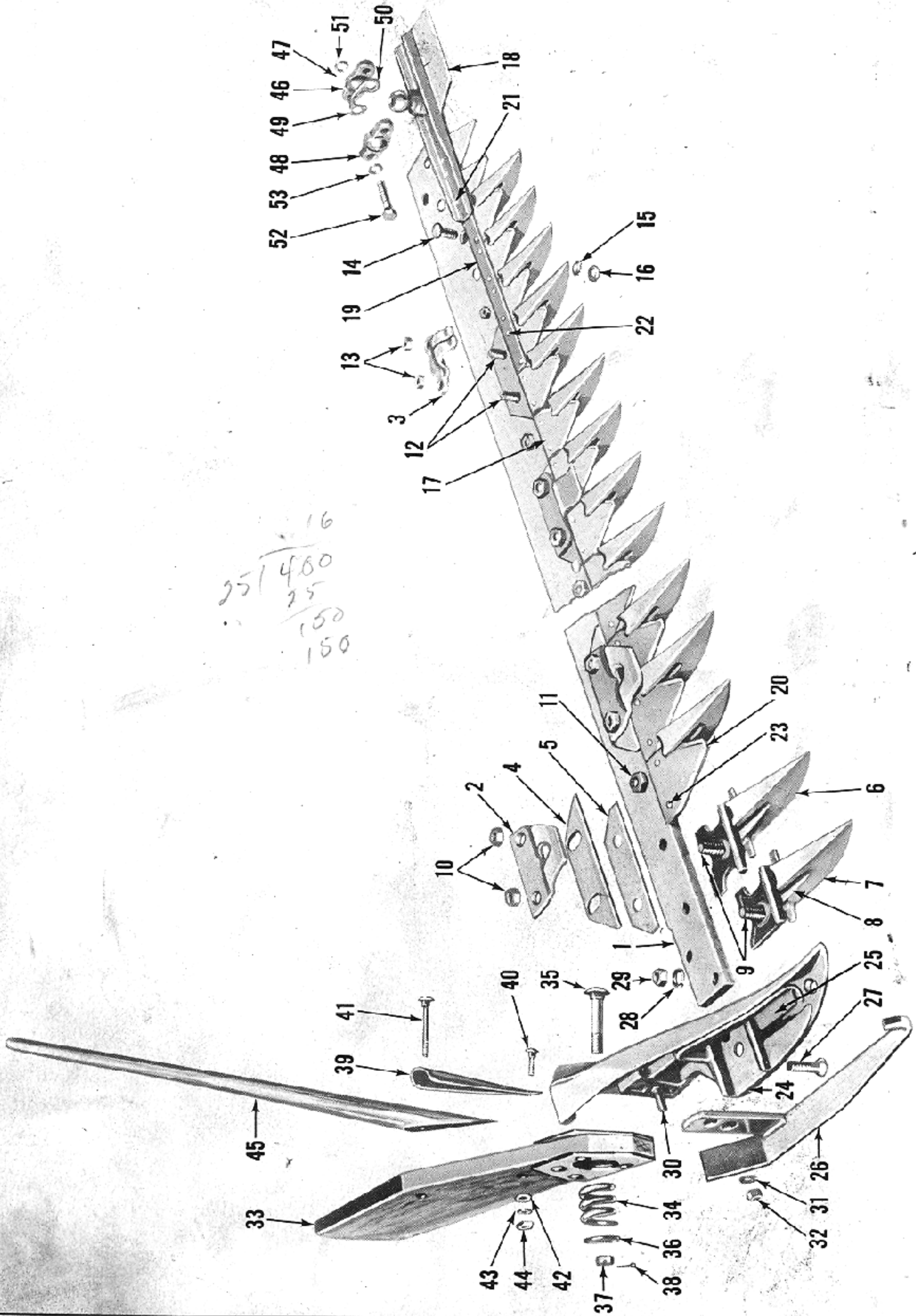


Figure 30 - Cutter Bar, Knife and Outer Shoe Assemblies



# SIDE MOUNTED *Mowers*

MODELS 14-3, 50, 51, 61 and 64

FIG. 30	PART NO.	NAME AND DESCRIPTION	QTY. REQ.					
			14-3	14-4	14-50	14-51	14-61	14-64
<b>Group 2-IIA—CUTTER BAR AND KNIFE ASSEMBLIES</b>								
1	140474	BAR, Cutter, 6' .....	-	1	-	1	-	1
-	140037	BAR, Cutter, 5' .....	1	-	1	-	1	-
2	142726	CLIP, Knife - Plain .....	4	5	4	5	4	5
3	141008	CLIP, Knife - Inner .....	1	1	1	1	1	1
4	141021	PLATE, Wear .....	5	6	5	6	5	6
5	141015	SHIM, .050 .....	5	6	5	6	5	6
6	141009	GUARD ASSEMBLY, Rock .....	18	22	18	22	18	22
7	141013	GUARD ASSEMBLY, Rock - Outer .....	1	1	1	1	1	1
		Consists of Guard which is not serviced separately plus items listed below:						
8	142570	PLATE, Ledger .....	19	23	19	23	19	23
-	141012	RIVET, Ledger Plate to Rock Guard .....	19	23	19	23	19	23
9	300657	BOLT, 7/16" - 20 x 1-1/2" Plow } Plain Clip to Cutter						
10		NUT, 7/16" - 20 Hex. } Bar and Rock Guard .	8	10	8	10	8	10
11	300655	BOLT, 7/16" - 20 x 1-1/4" Plow } Rock Guard to						
11		NUT, 7/16" - 20 Hex. } Cutter Bar .....	7	9	7	9	7	9
12	300659	BOLT, 7/16" - 20 x 1-3/4" Plow } Inner Clip to Cutter						
13		NUT, 7/16" - 20 Hex. } Bar and Rock Guard .	2	2	2	2	2	2
14	300372	BOLT, 7/16" - 20 x 1-1/4" Plow, Rib Neck } Rock						
15		LOCKWASHER, 7/16" Shakeproof } Guard to						
16	141044	NUT, 7/16" - 20 Spec. } Cutter Bar	2	2	2	2	2	2
17	140015	KNIFE ASSEMBLY, 5' Underserrated (Regular) .....	1	-	1	-	1	-
--	140017	KNIFE ASSEMBLY, 6' Underserrated (Regular) .....	-	1	-	1	-	1
--	148722	KNIFE ASSEMBLY, 5' Underserrated (Heavy) .....	1	-	1	-	1	-
--	148721*	REINFORCEMENT .....	1	1	1	1	1	1
--	148723	KNIFE ASSEMBLY, 6' Underserrated (Heavy) .....	-	1	-	1	-	1
--	148721*	REINFORCEMENT .....	1	1	1	1	1	1
--	140408	KNIFE ASSEMBLY, 5' Plain .....	1	-	1	-	1	-
--	140409	KNIFE ASSEMBLY, 6' Plain .....	-	1	-	1	-	1
--	148725	KNIFE ASSEMBLY, 5' Plain (Heavy) .....	1	-	1	-	1	-
--	148721*	REINFORCEMENT .....	1	1	1	1	1	1
--	148726	KNIFE ASSEMBLY, 6' Plain (Heavy) .....	-	1	-	1	-	1
--	148721*	REINFORCEMENT .....	1	1	1	1	1	1
		Consists of:						
18	140019	HEAD, Knife Assembly .....	1	1	1	1	1	1
--	141114	RIVET, .219 x .68, Knife Head to Back .....	2	2	2	2	2	2
19	141110	REINFORCEMENT, Knife Head .....	1	1	1	1	1	1
--	140008	BACK, Knife, 5' .....	1	-	1	-	1	-
--	141111	BACK, Knife, 6' .....	-	1	-	1	-	1
20	141113	SECTION, Underserrated Knife .....	20	24	20	24	20	24
--	141682	SECTION, Plain Knife .....	20	24	20	24	20	24
--	141197	SECTION, Knife, Heavy Plain (.109) (Optional) .....	20	24	20	24	20	24
--	141198	SECTION, Knife, Heavy Serrated (.109) (Optional) .....	20	24	20	24	20	24
21	141115	RIVET, .210 x 1.06, Knife Section to Head .....	6	6	6	6	6	6
22	141121	RIVET, .210 x .81, Knife Section to Reinforcement .....	6	6	6	6	6	6
23	141116	RIVET, .210 x .56, Knife Section to Back .....	29	37	29	37	29	37
--	148727	RIVET, .210 x .58, Knife Section to Back .....	-	-	-	-	29	37
--	145642	RIVET ASSORTMENT, Repair						
		Consists of:						
--	141114	RIVET, .210" x .68" .....	2	2	2	2	2	2
--	141115	RIVET, .210" x 1.06" .....	6	6	6	6	6	6
--	141116	RIVET, .210" x .56" .....	49	49	49	49	49	49
--	141121	RIVET, .210" x .81" .....	6	6	6	6	6	6
--	142673	RIVET, .210" x 15/16" .....	7	7	7	7	7	7

\*Extra Equipment



# SIDE MOUNTED *Mowers*

MODELS 14-3, 4, 50, 51, 60, 68 and 77

FIG. 30	PART NO.	NAME AND DESCRIPTION	QTY. REQ.	
			14-3, 4	14-50, 51, 60 68, 77
<b>Group 2-11B — OUTER SHOE, SWATHBOARD AND PITMAN ASSEMBLIES</b>				
24	143570	SHOE ASSEMBLY, Outer . . . . . Consists of Shoe which is not serviced separately plus items listed below:	1	1
25	142571	PLATE, Ledger . . . . .	1	1
--	141019	RIVET, .210" x 11/16" } Plate to Shoe (Use w/Old Style Shoe		
--	141020	RIVET, .210" x 1-3/16" } Assy. - Not Shown) . . . . .	1	-
--	143566	RIVET, .212" x 13/16" Flat Hd. } Plate to Shoe		
--	143567	RIVET, .212" x 1" Flat Hd. } (Use w/143570) . . . . .	1	1
26	141022	SOLE, Outer Shoe (Welded Assembly) . . . . .	1	1
27	300657	BOLT, 7/16" - 20 x 1-1/2" Plow } Outer Shoe to Cutter Bar . . .		
28		LOCKWASHER, 7/16" } . . . . .	2	2
29	141044	NUT, 7/16" - 20 Hex. } . . . . .		
30		BOLT, 7/16" - 14 x 2-1/4" Carr. } Sole to Outer Shoe Assy. . . .		
31		LOCKWASHER, 7/16" } . . . . .	1	1
32		NUT, 7/16" - 14 Hex. } . . . . .		
--	142644	SWATHBOARD and FITTING ASSEMBLY . . . . .	1	1
		Consists of:		
33	142645 <i>42381</i>	SWATHBOARD (Riveted Assembly) . . . . .	1	1
34	140443	SPRING, Swathboard . . . . .	1	1
35	141246	BOLT, 1/2" - 13 x 2-1/2" Carr. } Swathboard and Spring		
36	141327	WASHER, Flat } to Outer Shoe . . . . .	2	2
37		NUT, 1/2" - 13 Hex. Slotted } . . . . .	1	1
38		COTTER PIN, 1/8" - 1" } . . . . .	1	1
39	142652	CLAMP, Grass Stick . . . . .	1	1
40		BOLT, 5/16" - 18 x 1-1/4" Carr. } Grass Stick and Clamp		
41		BOLT, 5/16" - 18 x 2-1/4" Carr. } to Swathboard . . . . .	1	1
42		WASHER, 5/16" Flat } . . . . .	2	2
43		LOCKWASHER, 5/16" } . . . . .	2	2
44		NUT, 5/16" - 18 Hex. } . . . . .	2	2
45	142651	STICK, Grass . . . . .	1	1
--	140165	PITMAN ASSEMBLY . . . . .	1	1
		Consists of:		
46	140064	CAP, Ball Socket Inner . . . . .	1	1
47		FITTING, Lube, 14 - 28 x 1/2" Str., Ball Socket Inner Cap . . . . .	1	1
48	140170	CAP, Ball Socket Outer . . . . .	1	1
49	140174	SHIM, .005 to .007 } Outer to Inner Cap . . . . .		
50	140175	SHIM, .010 to .012 } . . . . .	As Req.	As Req.
51		WASHER, .53" to .875" x .093" Flat, Inner Ball Socket to Pitman.	4	4
52	140220	BOLT, 1/2" - 13 x 2-1/4" Hex. Hd. } Inner and Outer Ball		
53		LOCKWASHER, 1/2" } Socket to Pitman . . . . .	2	2
Fig. 25				
46	140437	PITMAN . . . . .	1	1
47		BOLT, 5/16" - 24 x 1-1/4" Hex. Hd. } Pitman Fork. . . . .		
48		LOCKWASHER, 5/16" } . . . . .	2	2
49	140079	PIN, Wrist (Not in Assembly) . . . . .	1	1



# SIDE MOUNTED *Mowers*

MODELS 14-3, 4, 50, 51, 60, 68 and 77

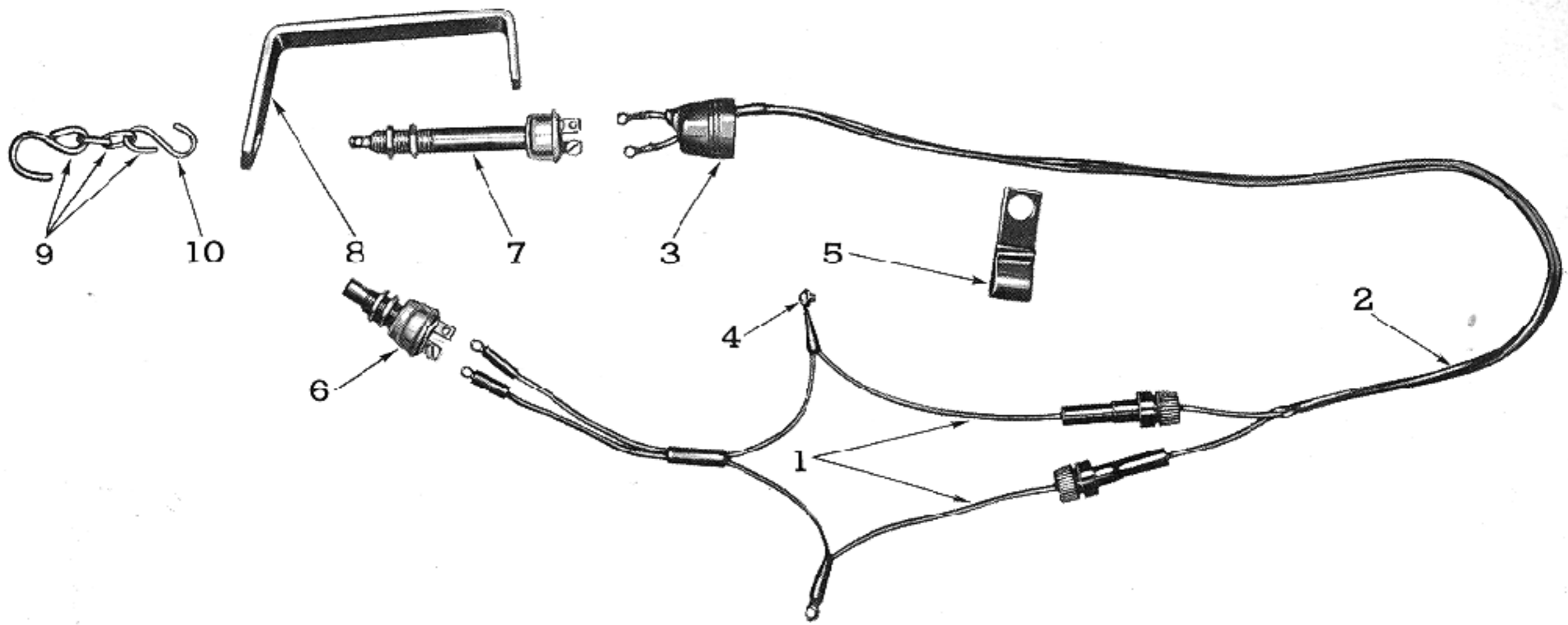


Figure 31 - Electric Switch and Harness Assembly

FIG. 31	PART NO.	NAME AND DESCRIPTION	QTY. REQ.	
			14-3, 4 50, 51, 60, 68	14-77
		<b>Group 2-12 — ELECTRIC SWITCH AND HARNESS ASSEMBLY</b>		
-	140400	SWITCH and HARNESS ASSEMBLY, Electric .....	1	-
-	140404	Consists of: HARNESS ASSEMBLY .....	1	-
1	140510	Consists of: HARNESS, Upper .....	1	-
2	140511	HARNESS, Lower .....	1	-
3	140406	CAP, Rubber .....	1	-
4		SCREW, No. 8-32 x 1/4" Rd. Hd. } Upper to Lower Harness ..	1	-
-		LOCKWASHER, No. 8 Light		
-		NUT, No. 8-32 Hex.		
5	140405	CLIP, Cable .....	2	-
6	140402	SWITCH, Push Button .....	1	-
7	140401	SWITCH, Safety .....	1	-
8	140403	BRACKET, Switch .....	1	-
9	140512	CHAIN ASSEMBLY, Safety Switch .....	1	-
		Consists of Chain and Eye which are not serviced separately plus Hook listed below:		
10	141665	HOOK, Chain .....	1	-
--	148259	SWITCH and HARNESS ASSEMBLY, Electric .....	-	1
--	148258	Consists of: HARNESS ASSEMBLY .....	-	1
3	140406	CAP, Rubber .....	-	-
4		SCREW, No. 8-32 x 1/4" Rd. Hd. } Harness .....	-	1
-		LOCKWASHER, No. 8 Light		
-		NUT, No. 8-32		
5	140405	CLIP, Cable .....	-	2
6	140402	SWITCH, Push Button .....	-	1
7	140401	SWITCH, Safety .....	-	1
8	140403	BRACKET, Switch .....	-	1
-	148257	CHAIN ASSEMBLY, Safety Switch .....	-	1
		Consists of Chain and Eye which are not serviced separately plus Hook listed below:		
10	141665	HOOK, Chain .....	-	1

# SIDE MOUNTED *Mowers*

MODELS 14-52, 53, 69 and 70

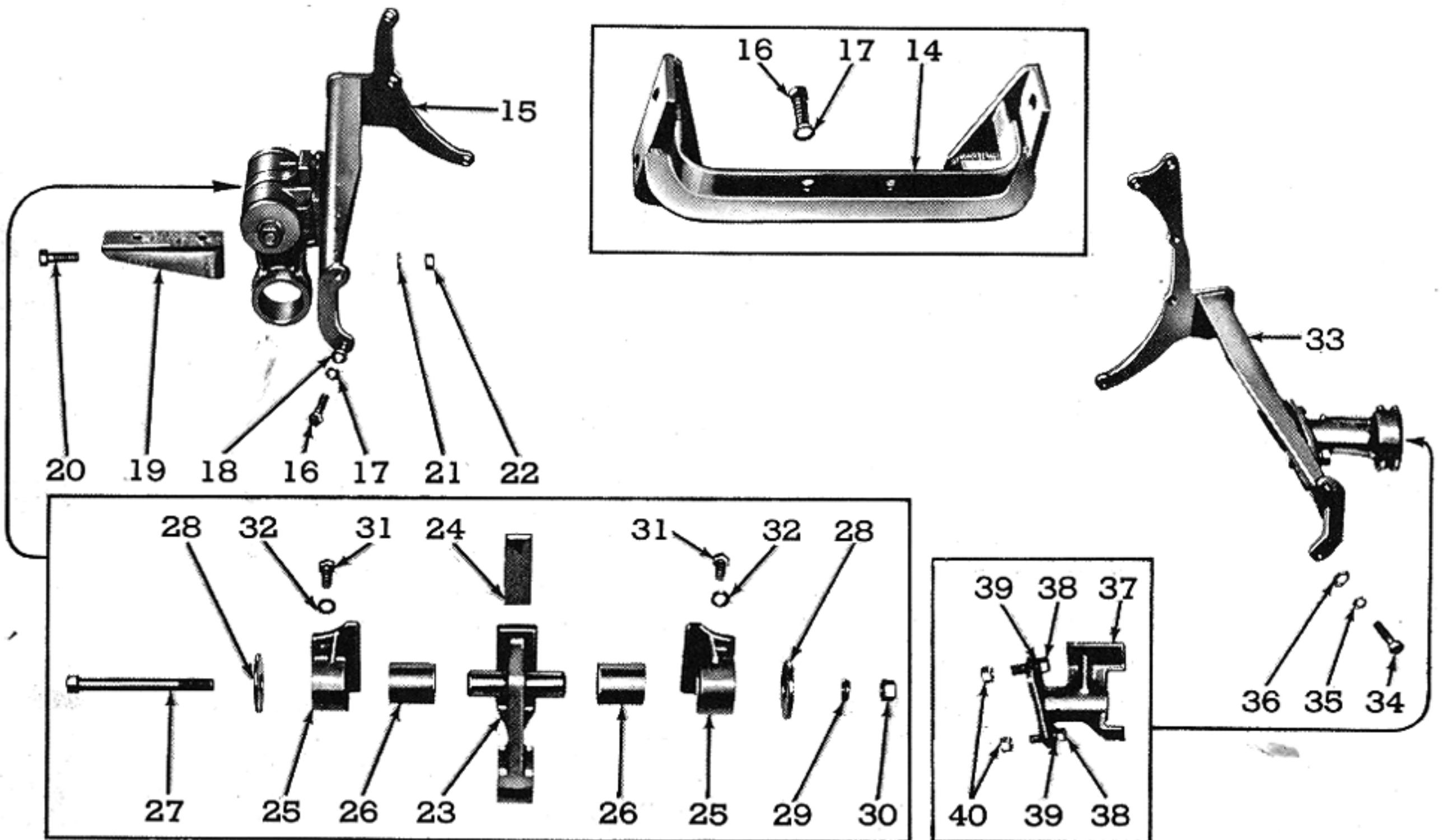
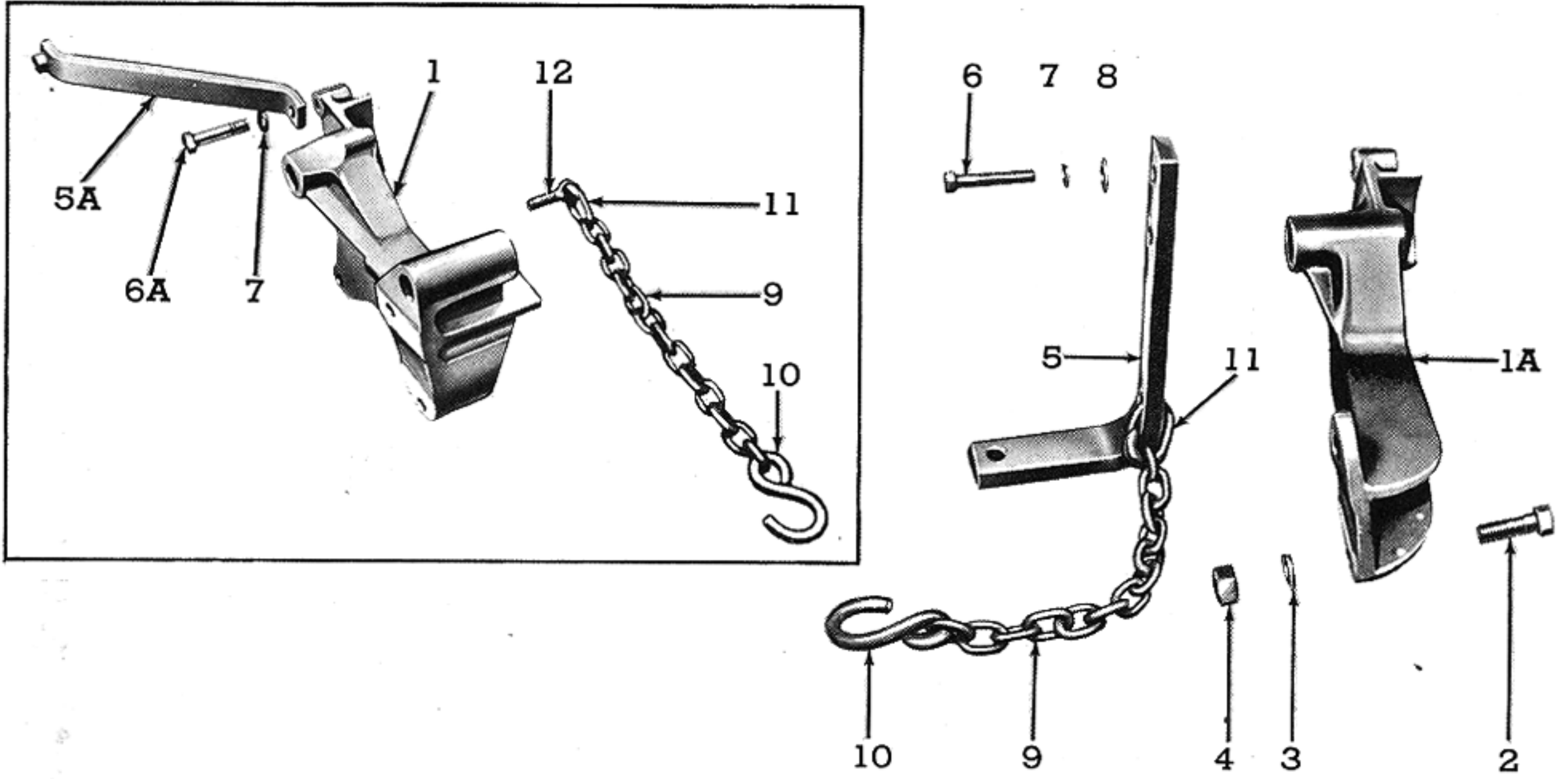


Figure 33 - Mounting Frames



# SIDE MOUNTED *Mowers*

MODELS 14-52, 53, 69 and 70

FIG. 33	PART NO.	NAME AND DESCRIPTION	QTY. REQ.			
			14-52	14-53	14-69	14-70
<b>Group 2-14 MOUNTING FRAMES (Side Mounted Mowers)</b>						
1	145628	PEDESTAL.....	1	-	1	-
1A	140119	PEDESTAL.....	-	1	-	1
2		BOLT, 5/8" - 11 x 2" Hex. Hd. } Pedestal to Frame.....	2	2	2	2
3		LOCKWASHER, 5/8" }				
4		NUT, 5/8" - 11 Hex. }				
5	140358	BRACKET, Support Rod.....	-	1	-	1
5A	145898	STRAP, Pedestal (Welded Assembly).....	1	-	1	-
6		BOLT, 1/2" - 20 x 2-3/4" Hex. Hd. } Bracket to Pedestal	-	2	-	2
6A		BOLT, 1/2" - 20 x 2-3/8" Hex. }	1	-	1	-
7		LOCKWASHER, 1/2" } Strap to Pedestal.....	1	2	1	2
8		WASHER, 1/2" Flat }	-	2	-	2
-		BOLT, 7/16" - 14 x 1-5/8" Hex. } Strap to Tractor.....	2	-	2	-
-		LOCKWASHER, 7/16" }				
9	140027	CHAIN, Safety Link.....	1	1	1	1
10	140133	HOOK, Chain.....	1	1	1	1
11	141528	LINK, Repair - Chain to Support Rod Bracket.....	1	1	1	1
12	140190	EYE Bolt				
--		LOCKWASHER, 1/2" } Chain to Pedestal.....	1	-	1	-
--		NUT, 1/2" - 13 Hex. }				
14	140444	FRAME (Welded Assembly).....	1	-	1	-
15	140374	FRAME, L. H. (Welded Assembly).....	-	1	-	1
16		BOLT, 5/8" - 11 x 1-3/4" Hex. } Frame to Tractor.....	-	-	4	-
17		LOCKWASHER, 5/8" }	2	-	2	-
18		WASHER, 5/8" Flat }	-	-	4	-
--		BOLT, 7/16" - 14 x 1-3/4" Hex. Hd. } L. H. Frame to Tractor ...	-	5	-	5
--		LOCKWASHER, 7/16" }	-	5	-	5
--		WASHER, 7/16" Flat }	-	6	-	6
--	140218	SHIM	-	2	-	2
--	147030	ANCHOR (Welded Assembly).....	1	-	1	-
--		BOLT, 5/16" - 18 x 1-1/8" Carr. } Anchor to Running				
--		WASHER, 5/16" Flat } Board Bracket.....	2	-	2	-
--		LOCKWASHER, 5/16" }				
--		NUT, 5/16" - 18 Hex. }				
19	140378	BRACKET, Running Board.....	-	1	-	1
--		BOLT, 7/16" - 14 x 1-1/2" Hex. Hd. } Running Board Bracket....	-	2	-	2
--		WASHER, 7/16" Flat }				
20		BOLT, 1/2" - 20 x 1-1/2" Hex. Hd. } Running Board Bracket				
21		LOCKWASHER, 1/2" } to Frame.....	-	1	-	1
22		NUT, 1/2" - 20 Hex. }				
23	140377	ARM, Dragbar (8N Tractor only).....	-	-	-	1
--	147032	ARM, Dragbar (NAA Tractor only).....	1	-	1	-
24	140196	BLOCK, Rubber - Dragbar Arm to Frame.....	-	-	1	1
25	140132	BRACKET, Dragbar Arm.....	-	-	2	2
26	141396	BUSHING, Dragbar Arm Bracket Rubber.....	-	-	2	2
27	303018	BOLT, 3/4" - 16 x 7" Hex. Hd. }	-	-	1	1
28	140255	WASHER, 25/32" x 3.12" x .31" Flat } Dragbar Brackets to Arm ..	-	-	2	2
29		LOCKWASHER, 3/4" }	-	-	1	1
30		NUT, 3/4" - 16 Hex. }	-	-	1	1
31		BOLT, 5/8" - 18 x 1-3/4" Hex. Hd. } Dragbar Bracket to				
32		LOCKWASHER, 5/8" } L. H. Frame.....	-	-	2	2
33	140446	FRAME, R. H. (Welded Assembly).....	-	1	-	1
34		BOLT, 7/16" - 14 x 1-3/4" Hex. Hd. } R. H. Frame to Tractor ...	-	6	-	6
35		LOCKWASHER, 7/16" }				
36		WASHER, 7/16" }				
--	140218	SHIM.....	-	2	-	2
37	140368	BRACKET, Cable Sheave.....	-	1	-	1
38		BOLT, 5/8" - 18 x 1-3/4" Hex. Hd. } Cable Sheave Bracket				
39		LOCKWASHER, 5/8" } to R. H. Frame.....	-	2	-	2
40		NUT, 5/8" - 18 Hex. }				